



The VARI*LITE® VL2000™ Wash luminaire sets a new standard for the combination of brightness, beam control and physical size for wash luminaires.

The VL2000 Wash luminaire features an upper enclosure that houses the control electronics as well as a power factor corrected arc power supply for a 700 watt short arc lamp. The VL2000 Wash luminaire also features zoomable beam spreader optics, CYM color mixing, a separate fixed color wheel and a high performance dimmer/strobe mechanism. The luminaire is the same size and weight as the VL2000 Spot luminaire, providing a consistent hang configuration and appearance no matter which luminaire type is required.

The VL2000 Wash luminaire can be controlled from a wide variety of DMX-512 consoles.

VL2000™ Wash

l u m i n a i r e

Programmable Functions

Color Mixing:	A fully crossfading CYM color system is included.
Fixed Color Wheel:	Provides 11 easily loaded positions for fixed dichroic color choices.
Beam Size Control:	A zoomable beam spreader mechanism provides continuous beam size control for both rapid changes and smooth timed beam angle changes.
Intensity Control:	Full field dimming designed for both smooth timed fades and strobe effects.
Pan & Tilt:	Smooth, timed continuous motion by way of a three-phase stepper motor system.
Range:	Pan - 540°, Tilt - 270°.
Accuracy:	0.3° resolution.

Description

Source:	700 Watt Short Arc Lamp	Color Temperature	5600°K
		CRI	80
Output:	15,500 lumens.		
Power Requirements:	Standard AC power distribution from 90-264 VAC, 50/60 Hz. The unit requires 4 to 12 A depending on the AC supply voltage.		
Reflector:	Precision glass reflector with dichroic cold mirror coating.		
Operational Temperature:	-20° to 122°F (-29° to 50°C). Note: Derate to 113°F (45°C for operation below 100 VAC)		
Cooling:	Forced air cooling.		
Control:	Completely compatible with a wide variety of DMX-512 consoles.		
Mounting Position:	The VL2000™ Wash luminaire can be mounted and operated in any orientation.		
Spacing:	Hangs on 19.0 in. (48.3 cm) centers.		
Weight:	55 lbs (25 kg) with rails.		

Accessories

71.2528.0700	700 Watt Short Arc Lamp
22.9620.0194	Safety Cable Assembly
55.6840.0001	Truss Hook, Mega-Clamp, Round and Square
55.6841.0001	Truss Hook, Mega-Claw for 2" Round Tube

VARI*LITE®
Express yourself.
a Genlyte company



VL2000™ Wash

l u m i n a i r e

Specifications

The unit is an integrally designed, remote-controlled, motorized wash luminaire. The head, yoke and enclosure housings are constructed of aluminum alloy, plastic and steel for lightweight strength and durability. Virtually silent fans provide forced-air cooling for internal components. The rear cap is removable, providing easy access to the lamp for replacement.

A single AC input cable along with two five-pin DMX-512 compatible connectors (in and through) are provided. The unit can be controlled by a wide variety of DMX-512 consoles. In addition, a built-in Master/Slave function enables operation of multiple luminaires without a control console.

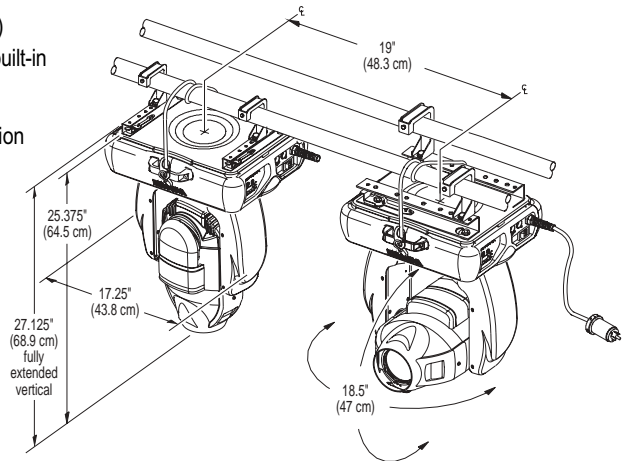
Each unit is equipped with multiple on-board processors providing diagnostic and self-calibration functions as well as internal test routines and software update capabilities.

The unit contains two independent three-phase stepper motors to provide movement of the head through 540° in the horizontal plane (pan) and 270° in the vertical plane (tilt). The pan and tilt mechanisms are belt-driven, providing positional resolution and repeatability of 0.3° on either axis.

A CYM color mixing system using three color wheels is provided for a broad range of user color selection. The color system is capable of color changes in less than 0.6 seconds. In addition to the CYM system, a fixed color wheel with 11 discrete colors is included for specific color requirements and snap color changes in .14 seconds.

The unit contains an aluminum dimmer blade that provides full field dimming and allows for smooth timed fades and fast blackouts, as well as variable strobe effects. The dimmer/strobe mechanism is capable of movement from fully open to fully closed in less than .080 seconds and provides a dimmable strobe rate of up to 8 Hz. The unit is equipped with a zoomable beam spreader that allows continuous field angle changes from 12° to 57° in less than 1.8 seconds.

The unit is ETL and ETLc certified and CE-marked. Exterior finish is black.



Photometric Data*

VL2000 Wash Luminaire - 700W Metal Halide					
Diffusion	Candela* (cd)	Beam Angle (DEGREES)	Beam Diameter TN ¹	Field Angle (DEGREES)	Field Diameter TN ¹
Mechanism at full spot	920,000	6.5°	.114	12.0°	.210
Mechanism at 25% flood	375,000	10.5°	.184	20.0°	.353
Mechanism at 50% flood	144,000	16.5°	.290	31.5°	.564
Mechanism at 75% flood	70,000	25.0°	.443	45.0°	.828
Mechanism at full flood	42,100	32.5°	.583	56.5°	1.075

¹ Multiply distance by Tn to determine coverage.

To calculate center beam Illuminance (I), at a specific distance (D): $I = \frac{cd}{D^2}$
 — if (D) is in feet, (I) is in foot candles
 — if (D) is in meters, (I) is in lux

* Note:

All data taken with seasoned light source at 20 hours of life.
 All data taken with front stipple glass in place.
 Fixture output = 15,500 lumens.

Vari-Lite

10911 Petal Street




Dallas, TX 75238

1.877.VARILITE

fax: 214.647.8038

www.vari-lite.com

VARI*LITE®
 Express yourself.
 a Genlyte company

© 2005. Printed in the U.S.A. Specifications are subject to change without notice. VARI*LITE® is a registered trademark of Genlyte Thomas Group LLC. VL2000™ is a trademark of Genlyte Thomas Group LLC. VARI*LITE® automated lighting equipment is made in the U.S.A. VARI*LITE® products are protected by patents granted and pending in the U.S. and other countries.



03/05, 5K